

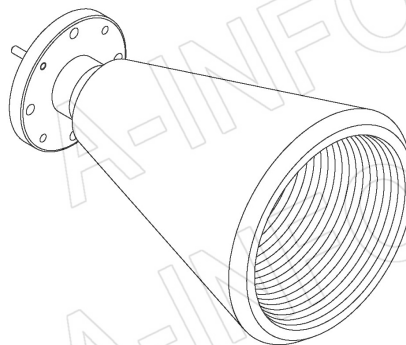
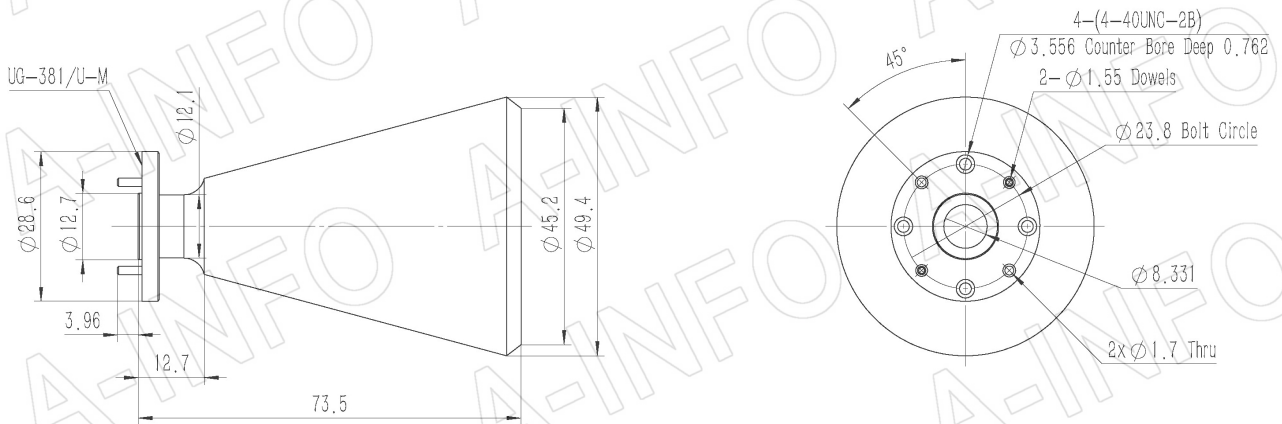
For reference only. See data sheet for the detailed specifications.

### Technical Specification

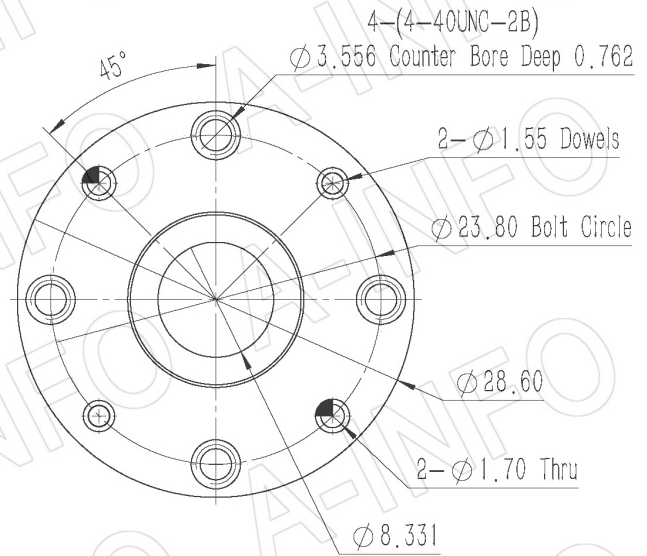
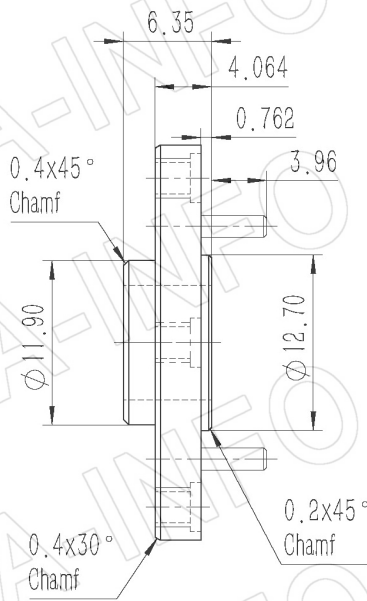


Frequency Range(GHz)	24.3 – 33.2
ELA WC	WC33
Circular WG Size	8.331mm / 0.33"
Gain(dBi)	20 Typ.
Polarization	Linear and Circular
3dB Beamwidth(deg)	E Plane: 19 Typ.
	H Plane: 19 Typ.
Cross Pol. Isolation(dB)	40 Typ.
VSWR	1.25:1 Typ.
Output	UG-381/U-M
Material	Al
Finish	Gold Plated
Size(mm)	49.4 x 49.4 x 73.5
Net Weight(Kg)	0.07 Around

### Outline Drawing (Size: mm)



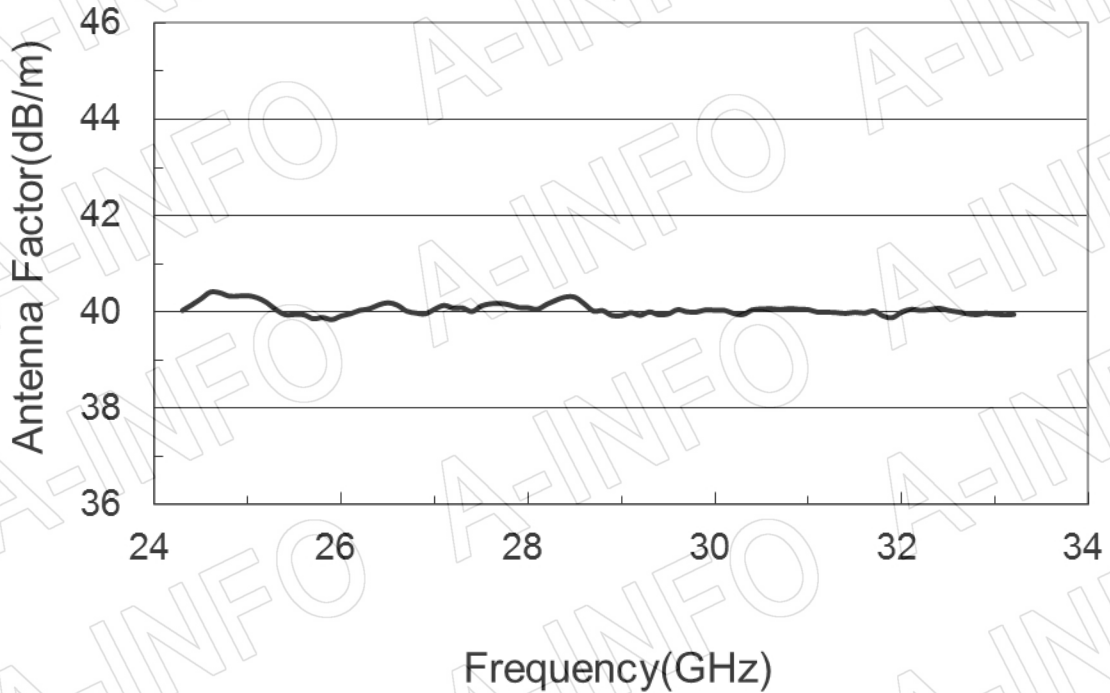
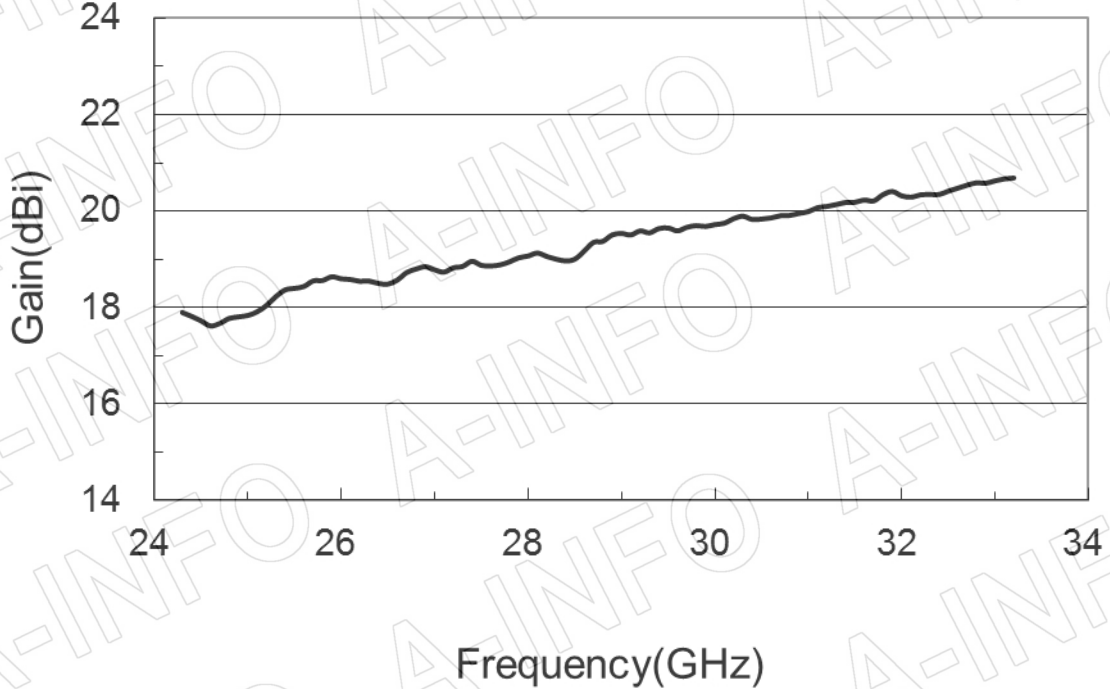
## Flange Drawing (Size: mm)



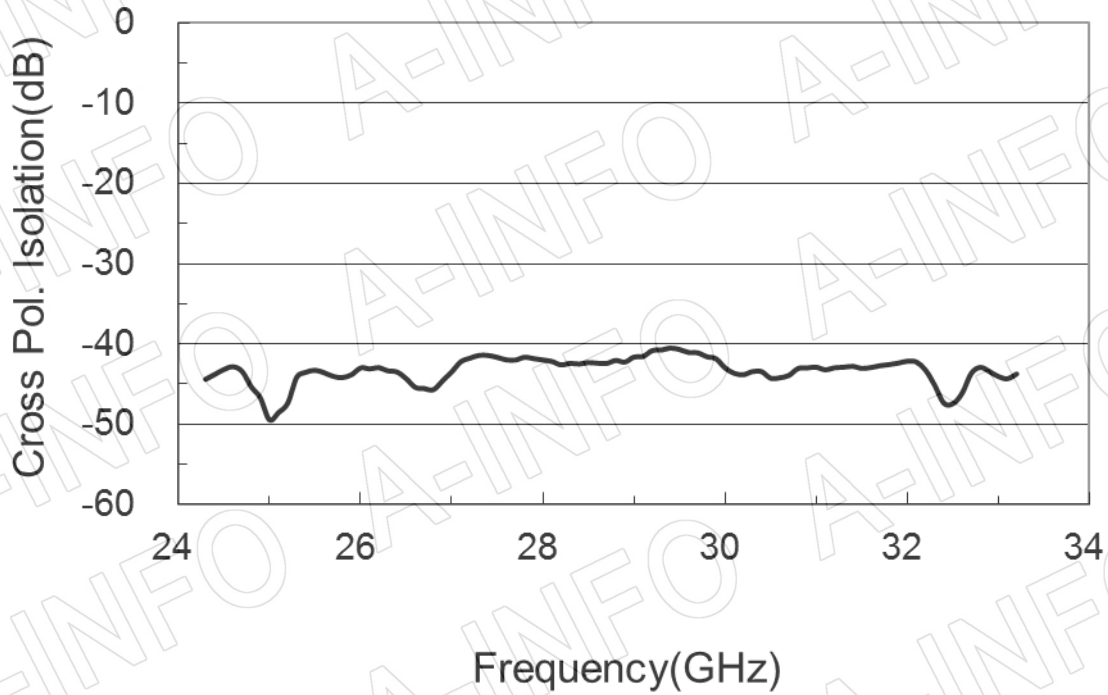
UG-381/U-M

## Test Results (Including the circular to rectangular transition)

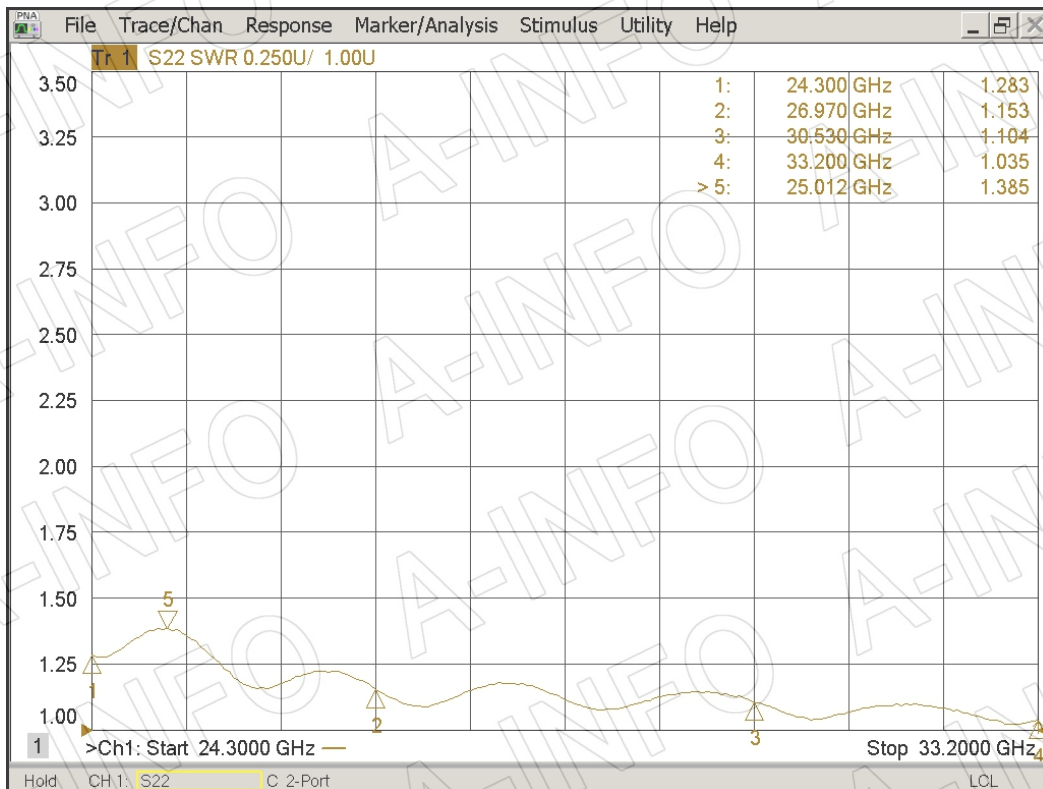
### 1. Gain & Antenna Factor



## 2. Cross Polarization Isolation



## 3. VSWR



## 4. Pattern

